

RAPTORFIN™

Maximize Trolling Motor Control

A level of performance you never dreamed possible!

Get maximum control of your boat when trolling and drifting.

Permits shallower running which means more areas accessible to fishing.

Manufactured and assembled in the U.S.A.

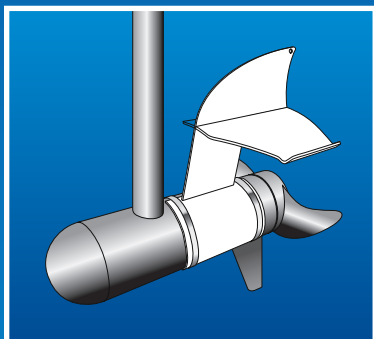
The RaptorFin™ was created by Raptor Fishing Technologies to maximize the performance of their trolling motors. Like all serious fishermen, they fish when and where the fish are biting, regardless of weather or water conditions. As a result, they need improved, maximized performance from their trolling motors whether they are running fast or slow, in deep water or shallow water, in waves or calm, or in headwinds, sidewinds or tailwinds.

To get the maximum performance they needed from their trolling motors, Raptor Fishing Technologies created the RaptorFin™. After years of research, development, and testing in all weather and water conditions, they got that performance – and they knew they would never again fish without the RaptorFin™!

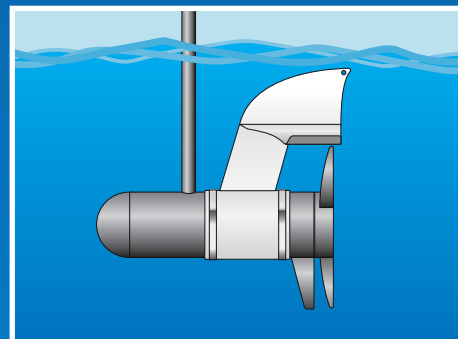
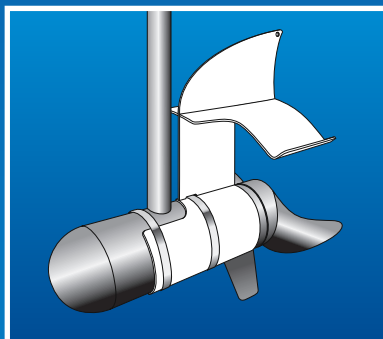
With the RaptorFin™, it's like having a rudder up front. Steering, control and stability are improved, both under power *and* while drifting. It reduces the vertical movement of the bow in rough water and the lateral movement of the boat in crosswinds. It also reduces trolling motor noise and vibration, so there's less chance of spooking fish.

The RaptorFin™ virtually eliminates cavitation, allowing you to run your trolling motor shallower. Running shallower means there's less likelihood that the motor or prop will contact potentially damaging underwater hazards and nuisances.

If you want maximum control and efficiency from your trolling motor, fish with the RaptorFin™ and be prepared for a level of performance you never dreamed possible.



RaptorFin™ mounts in minutes to most popular trolling motors so you, too, can experience performance you never dreamed possible.



RaptorFin™ allows shallower running meaning less cavitation, fewer incidents.



Designed, manufactured and assembled in the U.S.A.

To learn more about RaptorFin™ and other Raptor fishing products visit www.raptorfishing.com

Raptor Fishing Technologies, Inc. • 5161 Thatcher Road, Downers Grove, IL 60515
Phone: 630 725-9373 Fax: 630 725-9473